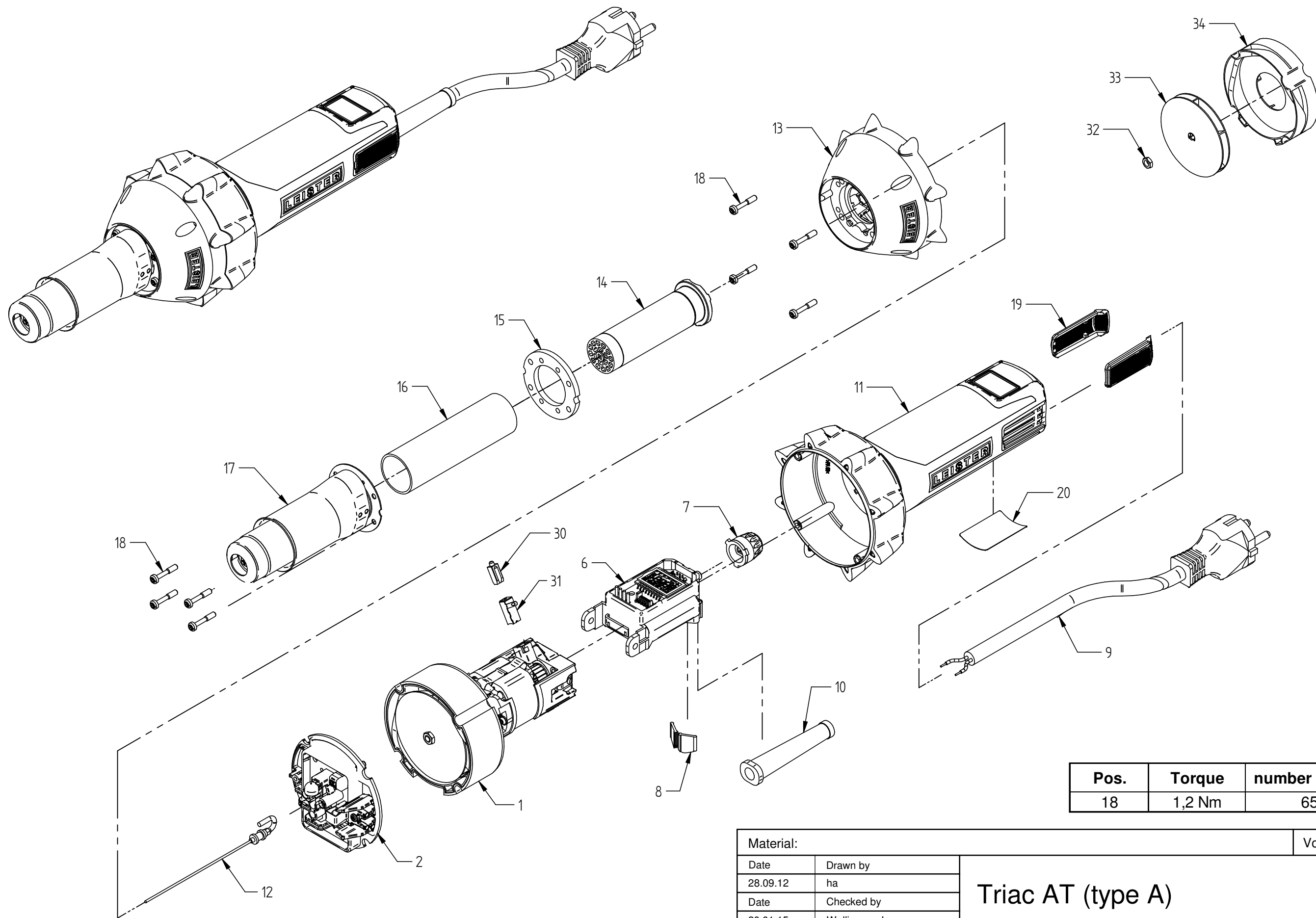


A

B

C

D



Pos.	Torque	number of revolutions
18	1,2 Nm	650 1/min.

Material:				Volume:		
Date	Drawn by	Triac AT (type A)			Sheet	
28.09.12	ha				1	
Date	Checked by				of	
20.01.15	Wallimann, Leo				1	
Leister Technologies AG Switzerland		Format	Scale		Drawing number	Revision
		A3	%		020.593	B

Model: 020383-0001-15.asm