

# 1LC Fusion Machine

Fusion Capability for ½" CTS – 1" IPS (16mm – 34mm)



## 1LC

The 1LC is the tool of choice for butt fusing ½" CTS to 1" IPS (16mm - 34mm) service sizes. As an alternative to the Mini-Mc®, the 1LC offers a more conventional style of operation while maintaining the great features of the 2LC. McElroy engineers designed the heater to locate on the guide rods of the unit, similar to the entire line of McElroy fusion machines. The compact design allows for fusing in tight quarters.

### 1LC

Includes fusion machine, heater, facer, insulated heater sling, ratchet wrench, screw/driver kit and case

Max. Pipe Size	Model No.	Input Voltage Requirements	Plug Type (See pg 140)
1"	ACTS16001	100V-120V, 50/60Hz, 100 Watt, 1Ph	A
1"	ACTS16002	200V-240V, 50/60Hz, 100 Watt, 1Ph	C
32mm	ACTS16003	100V-120V, 50/60Hz, 100 Watt, 1Ph	A
32mm	ACTS16004	200V-240V, 50/60Hz, 100 Watt, 1Ph	C

- Patented Centerline Guidance System for equal distribution of force around the joint
- Locking cam that locks moveable jaw during cooling cycle
- 3.8-to-1 mechanical advantage
- Conventional facer design features ball-bearing construction and gear drive for long life
- Jaws use same inserts as original Mini-Mc®
- Serrated jaws and inserts keep pipe from slipping during fusion process



**MACHINE PLUG TYPE**  
To find the right electrical plug type see **Page 140**

**GENERATOR**  
To size your generator see **Page 147**

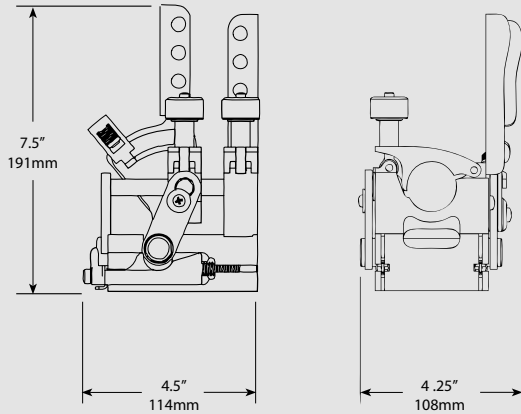
**ACCESSORIES**  
To find other related accessories see **Page 128**

**McElroy's International Distribution Network**  
McElroy products are offered through an international network of sales and authorized service center locations providing our customers around the globe with the tools to succeed.



See page 140 for more details.

## TLC



### CAPACITY

Fuses Pipe Sizes: ..... ½" CTS – 1" IPS (16mm – 34mm)

### WEIGHT

Machine: ..... 3 lbs (1.36Kg)

Facer: ..... 1.8 lbs (.82Kg)

Heater: ..... 2.5 lbs (1.13Kg)

### POWER

Heater Power: ..... 100 Watt

Facer Power: ..... Hand-operated with 3/8" square drive


### WARRANTY

Term: ..... 3 Years, see page 7 for details


Specifications subject to change without notice.

Part No.	Description
----------	-------------

### Spare Heaters - See legend above for more information.

		Microprocessor-controlled to maintain heater temperature.	
A	CTS20101	100V-120V, 50/60Hz, 100 Watt, 1Ph	
C	CTS20001	200V-240V, 50/60Hz, 100 Watt, 1Ph	

### Spare Insulated Heater Sling

	CTS08301	Protects heater and helps maintain a constant temperature.
---	----------	--


### Spare TLC Facer

	CTS17601	Spare facer used to face pipe ends.
---	----------	-------------------------------------

### Spare Facer Blade Set

	CTS21302	Blade set includes 2 blades, attaching screws and wrench.
---	----------	---

### Spare Screw/Driver Kit

	ACTS08201	Spare driver kit with insert screws and wire brush for cleaning serrated jaws and inserts.
---	-----------	--

### Tubing Shear


	MMD00009	Used to cut plastic tubing only, up to 1.7" OD capacity.
---	----------	--

### Pyrometer Kit


	A218804	Accurately checks surface temperatures of heater.
---	---------	---

Part No.	Description
----------	-------------

### Spare TLC Case

	CTS15801	Our strong and durable carrying case will hold a TLC, heater, sling, facer, and inserts.
---	----------	--

### Butt Fusion Insert Set - Set = 4 inserts, screws and wrench

		
Inserts are serrated for maximum grip and are made for one size pipe only. Inserts are required for pipe sizes less than 1" IPS.		
CTS07101	1" CTS	1.13" OD
CTS07201	¾" IPS	1.05" OD
CTS07301	¾" CTS	0.88" OD
CTS07401	½" IPS	0.84" OD
CTS07501	½" CTS	0.63" OD
CTS09201	25mm	0.98" OD
CTS09101	20mm	0.79" OD
CTS09301*	25mm	0.98" OD
CTS13501*	20mm	0.79" OD

\* For use with ACTS16003 and ACTS16004